

2MP Fixed Dome Network Camera

IPC3612CR3-PF28(40)-A



Key Features

Optics

- Day/night functionality
- Smart IR, up to 30m (98ft) IR distance
- 3D DNR (Digital Noise Reduction)

Compression

- Ultra 265, H.265, H.264
- ROI (Region of Interest)

Network

- ONVIF Conformance

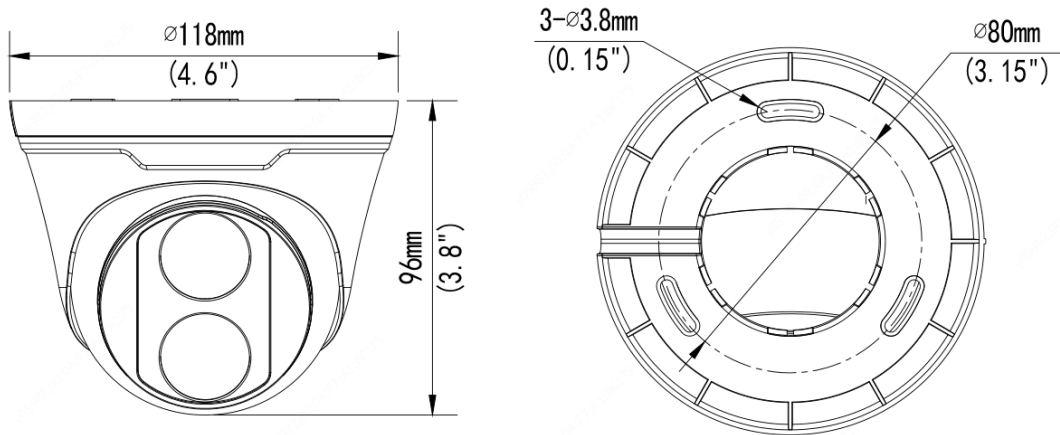
Structure

- Wide temperature range: -30°C ~ 60°C (-22°F ~ 140°F)
- Wide voltage range of ±25%
- IP67

Specifications

	IPC3612CR3-PF28-A	IPC3612CR3-PF40-A			
Camera					
Sensor	1/2.7", 2.0 megapixel, progressive scan, CMOS				
Lens	2.8mm@F2.0		4.0mm@F2.0		
DORI Distance	Lens (mm)	Detect (m)	Observe (m)	Recognize (m)	Identify (m)
	2.8	46.7	18.7	9.3	4.7
	4.0	66.7	26.7	13.3	6.7
Angle of view (H)	112.7°		86.5°		
Angle of View (V)	60.1°		44.1°		
Angle of View (O)	146.5°		106.4°		
Shutter	Auto/Manual, 1 ~ 1/100000s				
Adjustment angle	Pan: 0° ~ 360°		Tilt: 0° ~ 90°		Rotate: 0° ~ 360°
Min. Illumination	Colour: 0.02Lux (F2.0, AGC ON) 0Lux with IR				
IR Range	Up to 30m (98ft) IR range				
Day/Night	IR-cut filter with auto switch (ICR)				
S/N	>52dB				
WDR	DWDR				
Noise Reduction	2D/3D				
Video					
Max Resolution	1920*1080				
Video Compression	Ultra 265, H.265, H.264				
Frame Rate	Main Stream: 1080P (1920*1080), Max 25fps; Sub Stream: 4CIF (704*576), Max 25fps; Third Stream: CIF (352*288), Max 25fps				
HLC	Supported				
BLC	Supported				
OSD	Up to 4 OSDs				
Privacy Mask	Up to 4 areas				
ROI	Up to 2 areas				
Motion Detection	Up to 4 areas				
Network					
Protocols	IPv4, IGMP, ICMP, TCP, UDP, DHCP, RTP, RTSP, RTCP, DNS, DDNS, NTP, UPnP, HTTP				
Compatible Integration	ONVIF (Profile S, Profile T), API				
Interface					
Network	10/100M Base-TX Ethernet				
General					
Power	DC 12V±25%, PoE (IEEE 802.3af)				
	Power consumption: Max 4.0W				
Dimensions (Ø x H)	Ø118 x 96mm (Ø4.6" x 3.8")				
Weight	0.27kg (0.60lb)				
Working Environment	-30°C ~ 60°C (-22°F ~ 140°F), Humidity: ≤95% RH (non-condensing)				

Dimensions



Zhejiang Uniview Technologies Co., Ltd.

Building No.10, Wanlun Science Park, Jiangling Road 88, Binjiang District, Hangzhou, Zhejiang, China (310051)

Email: overseasbusiness@uniview.com; globalsupport@uniview.com

<http://www.uniview.com>

©2019 Zhejiang Uniview Technologies Co., Ltd. All rights reserved.

*Product specifications and availability are subject to change without notice.